



ARAD LTD. DALIA - irrigation DIVISION

PLASTIC FERTILIZER METER - 1/2" SF

SF



Description:

The SF is a fertilizer and chemical solutions meter with electrical output and totalizing register. Inside the meter, the impeller is the only moving part that comes into contact with the liquid.

Features:

- Mechanical register with totalizer, 3 pointers and leakage detector.
- Dry contact electrical output (0.1, 1, 10, 100 l/p).
- High accuracy.
- Corrosion resistant plastic components.
- Small & lightweight.

Applications:

- Fertilizing control in automated irrigation systems.
- Industrial applications involving corrosive liquids.

TECHNICAL SPECIFICATIONS:

Maximum Operating

Pressure: 5 bar

Temperature Range: Up to 50°C

Available Size: 1/2"

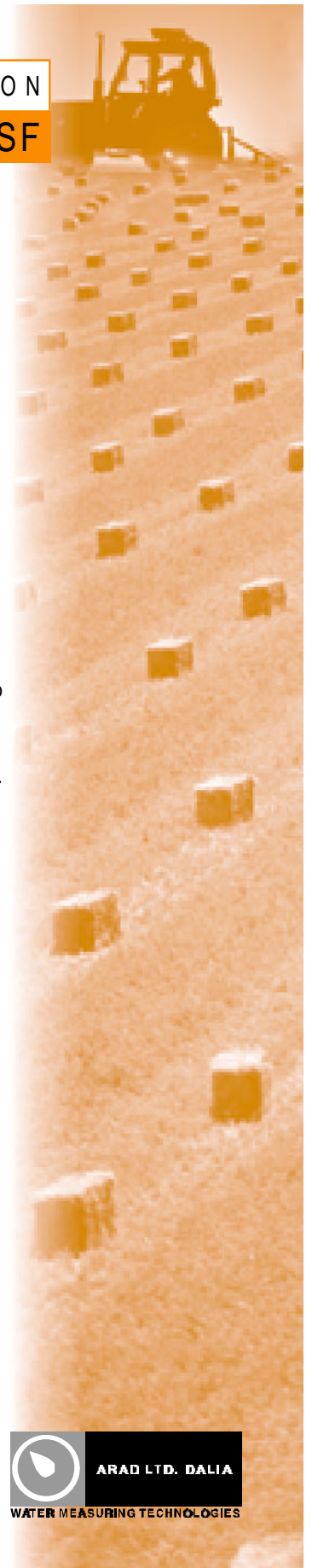
INSTALLATION:

Meter face horizontal



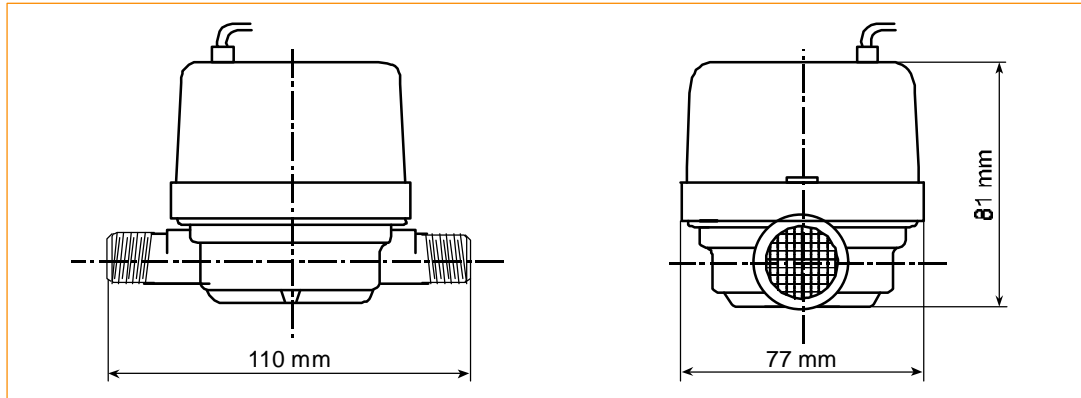
ARAD LTD. DALIA

WATER MEASURING TECHNOLOGIES

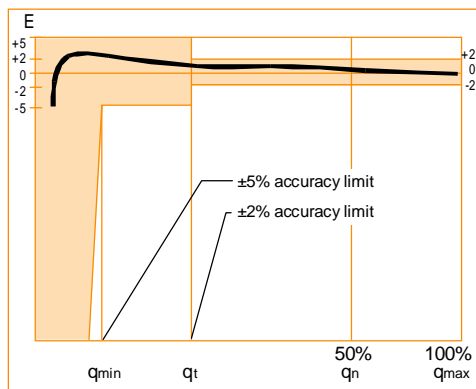




D I M E N S I O N S



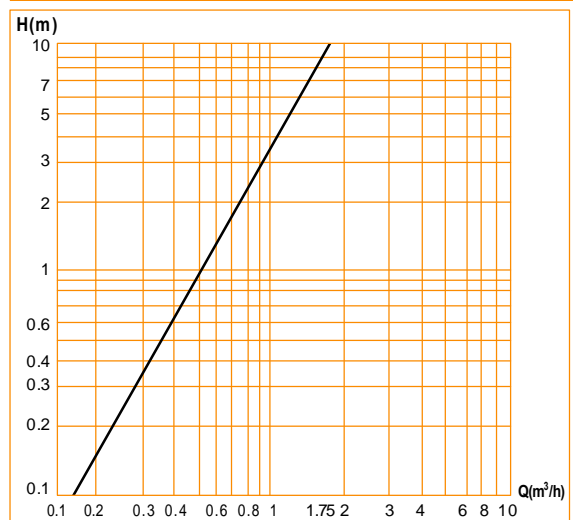
ACCURACY CURVE



PERFORMANCE DATA

Maximum flow rate (peak load for short periods)	Q _{max}	l/h	500
Lowest flow rate measured within ±2%	Q _t	l/h	70
Lowest flow rate measured within ±5%	Q _{min}	l/h	20
Loss of head at maximum flow rate		Bar	0.12

HEAD LOSS CURVE



TD-141 8D1 SF

